

Self-managed Food Bank cities – Agricultural-Climatic and Tourism cities –  
Vegetable, Green, Plant calderas – THE PRINCIPLES

THE PAPILLON SOURCE – EL4DEV, transnational collaborative multidisciplinary  
engineering program

Principle 1

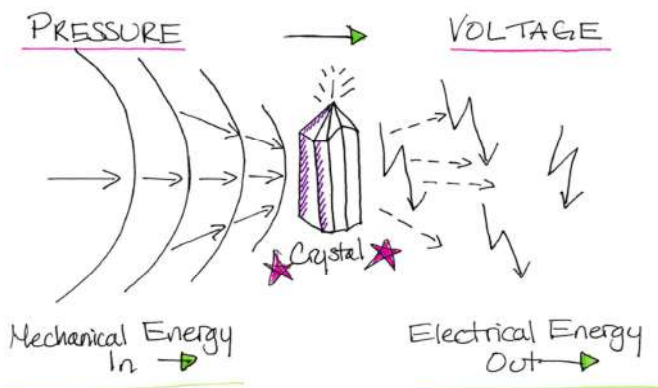
*Producing 100% green energy using ferroelectric materials and crystals (piezoelectricity). The various devices are star-shaped. Energy is stored in super capacitors, also star-connected.*



Ferroelectricity



Piezoelectricity



Principle 2

*Thanks to the energy produced beforehand and to a large number of stones / rocks arranged in certain ways, produce fresh water in very large quantities and continuously by the principle of condensation by cooling in particular a series of large metal plates. Size (2m \* 1m) under the dew point 24H / 24H.*

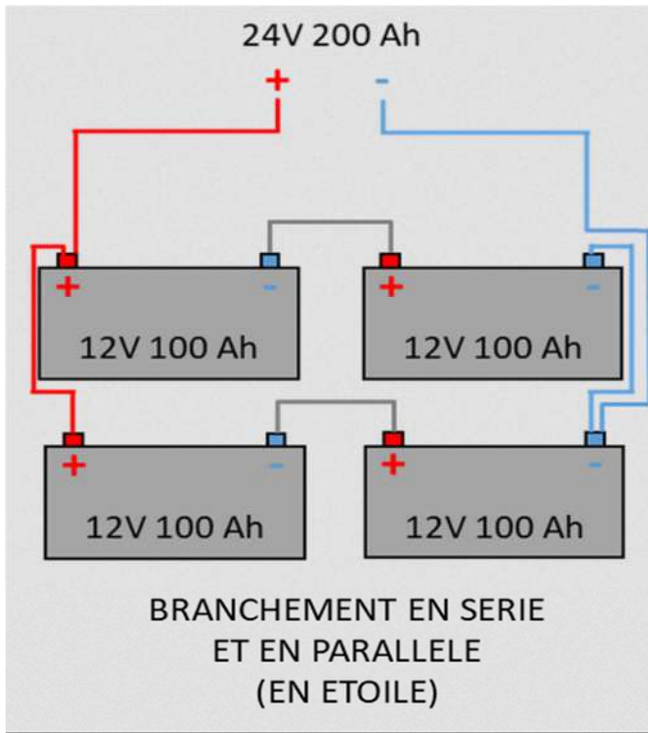


The constantly produced fresh water allows the irrigation of crops (giant bamboos, high canopy trees, forest gardens in the form of circular groves), supplies artificial lakes, canals (gullies), ecological swimming pools (biological) and tanks for consumption and sanitary needs in the city.



All wastewater is 100% recovered and treated in a 100% natural way (passage of water through several natural phyto-purification / phytoremediation basins before being re-injected clear, filtered and energized in artificial lakes. All the lakes of the city are interconnected by drains (canals), so water is constantly circulating.

Star mounting



Principle 3

*Create a Transformative Agricultural-Climatic process (100% natural geoengineering process, that is to say cybernetic, without any negative impact on nature) allowing the creation of a vast forest biotope (well-defined geographical space containing a well-defined community of 'living being) of humid tropical type and very rich in biodiversity in less than 3 years.*



Principle 4

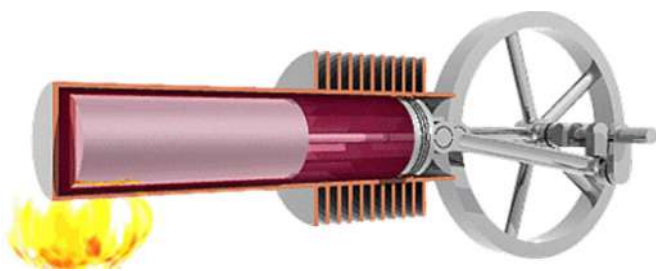
*Thanks to the 100% natural geoengineering process, modify the climate on a local scale (create a humid tropical climate) and enrich the soils to allow significant reforestation with very high added value (integration of multiple and complementary plant and animal species)*

Supercapacitors



The energy produced allows the cooling of metal plates under the dew point is done by the use of beta type Stirling engines capable of generating instantaneous cooling (down to  $-200^{\circ}\text{C}$ ) of the water (containing an antifreeze) which circulates in a pipe in contact with the plates.

Stirling engine



Electric power generation is also ensured by micro solar power plants. They will supply energy to certain infrastructures of the city (housing in particular).



Principle 5

*The Agricultural Climatic Transformative process incorporates the practice of 100% natural and environmentally-friendly agriculture (highly sustainable). This one is 100% organic, biodynamic, "Non-commercial" and only for "Subsistence" with a 100% societal vocation*

## Principle 6

*The Agricultural Climatic Transformative process also integrates the regeneration of damaged soils, massive reforestation of the targeted areas, a very considerable increase in plant and animal biodiversity, a local fight against water stress, the creation of a botanical conservatory, the creation of an ornithological park, etc.*



The city will integrate from the start (phase of insertion of the first plants) many species of birds. Thanks to their songs at beneficial frequencies, their droppings very rich in nitrogen and organic matter, their roles in predated pest insects, and their synchronized wing beats, these birds are essential links to the rapid development of vegetation.



## Principle 7

*Self-production of food will be used for catering in tourist cities but will also be used for free distribution to local populations in need (food self-sufficiency and sovereignty, fight against poverty). Another function is the creation of conservatory orchards, conservatory market gardeners of organic vegetables, conservatories of natural seeds and conservatory apiaries.*



*EL4DEV "societal" agriculture is provided by a vast network of circular gardens-forests-sanctuaries (groves) on the model of the 100% sustainable and self-regulated oasis*



They are made up of 100% mixed crops (association and succession of various crops in the same space for a functional biodiversity) including orchards and market gardeners (therefore no cereal crops: too much water and space, not adapted to the man). These are only edible and medicinal species (concept of the food forest: agriculture copying the natural, efficient and self-regulated model of the forest).



The products are all of wild strain and old varieties (that is to say, non-hybrid: therefore not patented, having the capacity to reproduce by generating their own seeds and possessing nutritional values as well as a much higher bioenergetic contribution. high). It is particularly produced some super fruits / vegetables / plants (highly nutritious and complete) + high quality honey.



**Principe 8**

*The city: a place of protection against electromagnetic waves harmful to man and nature*

Bio resonance: artificial electromagnetic fields disturb living organisms because the biological ecosystems of these organisms also communicate by electromagnetic micro-signals. Cells emit extremely weak signals, which allow them to communicate with each other. The hoop itself works with the help of intense electrical activity.



All constructions are carried out outside geo-pathogenic zones (following the study of the natural electromagnetic waves of the land: geo-biological studies of the soil).

Many crystals will be placed in various places of the city.



**Principe 9**

*Creation of a vast 100% ecological tourist complex of a new kind, with a societal and educational vocation (Concept of Social & Sustainable Garden & Resort)*

Food production is done without artificial inputs (fertilizers and phytosanitary treatments of any kind) because plant protection is achieved through the complementarity / interconnection of plant and animal species (**forest system**).

*Agricultural processes and techniques used :*

- Agroforestry (cultivating with trees),
- Permaculture (systemic and holistic method of designing human habitats and agricultural systems)
- Electroculture,
- Magneto culture,
- Biodynamics - Consideration of telluric networks (geobiology / dowsing),
- Puncture sound (sending specific vibrations),
- Use of terra preta (manually constituted soil rich in carbon),
- Use of crystals etc.



*Biodynamic cities / complexes :*

Biodynamic agriculture has two aspects: the spiritual and the concrete. The farmer evolves in harmony with what surrounds him. THE PAPILLON SOURCE cities are considered "living organisms" capable of nourishing its soils and feeding visitors and animals that are there

*offering therapeutic and healing stays of 1 week "all included" (Saturday to Saturday: 7 Days / 6 Nights) and at low prices (accessible to both locals and foreign tourists)*



*Offer of therapeutic leisure and relaxation for physical renewal (increase in vital energy: strong nutrient supply + electromagnetic recharging, strong contribution of positive vibrations) and psychological (calm, stimuli of the state of meditation and creativity, strong contribution of positive vibrations, art therapy) as well as for intense rest, all leading to introspection and personal development.*



*Functioning of the city as an international training center (education of visitors through experimentation) in alternative practices, new processes, real ecology, a systemic approach to nature, the notion of interdependence, etc.*

- Responsible tourism: ecotourism, fair and solidarity tourism
- Philosophical and spiritual tourism
- Therapeutic and well-being tourism (naturopathy: biodynamic therapy, lithotherapy, phytotherapy, therapy by exposure to magnetic fields, high frequency therapies)
- Agricultural and scientific tourism
- Business, events and educational tourism

*Product / service offer of the parent Self-Managed City :*

- Attractions / activities stimulating creativity, optimism, understanding, letting go, introspection, reflexivity and meditation + Numerous activities for resourcing the body and mind (sports activities, natural therapies...)

without external input. A city that imports is considered a sick organism.

*A bamboo grove (giant bamboos) in symbiosis with the many food groves + other selected inedible pioneer species form the vast forest biotope.*



- Rapid creation of a vast high forest plant cover (between 25 and 30 meters, in less than 3 years for the slower species),
- creation of a cool and humid micro climate (thanks to the shade provided),
- soil protection against wind erosion and water runoff as well as UV ray burns,
- fight against massive evaporation of water, soil remediation and wastewater treatment,
- great assimilation of carbon, production of oxygen,
- improvement of water infiltration into the soil,
- creation of circulating water bodies and reinforcement of the banks,
- reception of many species of migratory and sedentary birds,
- reception of bees and pollinating insects, etc.

*The giant bamboos are inserted in a vast network of dug galleries (canyons) 4 meters deep, located near the groves. These bamboos provide constant freshness and humidity, all of which acting as a natural cooling circuit to the soil beneficial to crops.*



Principle 10

*A bioenergetic restoration in the city - A 100% natural restoration, highly detoxifying, highly revitalizing (significant nutritional contribution and increase /*

- 100% ecological and magical hotel + Catering + Indoor and outdoor aquatic pools (100% ecological / organic swimming pools maintained only by phyto-purification)
- Educational fun visits / attractions for an introduction to alternative, natural and efficient farming techniques + Educational fun visits for an introduction to alternative energy production techniques
- Provision of innovative, creative and atypical solutions for individuals, schools, universities, companies and special interest groups (for business meetings, conferences, exhibitions, seminars, exhibitions and summits) + Organization of annual, seasonal or weekly radiant events (art workshops, shows, concerts, congresses, summits, conferences, fairs, exhibitions, etc.)
- Museum of exhibition of positive and therapeutic art known as "vibratory art" (unique place in the world, dedicated to art therapy where positive artists gather together who create and exhibit numerous vibratory works of art (paintings, murals, sculptures, engravings, etc.) + Fairy craftsmanship

*The architecture of the city is highly fanciful and strongly inspired by cities built by ancient, mysterious and mythological civilizations (Persian and Mesopotamian civilizations: Sumerian, Egyptian, Inca, Mayan, Aztec and Atlantean) but also by contemporary civilizations (Berber, Sudanese-Sahelian, South Asian). It is also inspired by lunar architecture (multi-domed architecture inspired by space missions).*

It is organic, curved, aesthetic, low height and uses only 100% natural materials (earth fill and clay, sand, lime, rock (limestone + granite), bamboo, etc. Wood is totally prohibited). It is self-supporting (which allows rigidity and durability). There are mainly domes, walls and pyramids

#### Links to the EL4DEV program

EL4DEV press kits  
<https://www.paul-elvere-delsart.net/dossiers-de-presse-el4dev-el4dev-press-kits/>

EL4DEV brochures / White papers  
<https://www.paul-elvere-delsart.net/brochures-livres-blancs-el4dev-el4dev-brochures-white-papers>

Internal navigation menu  
<https://www.paul-elvere-delsart.net/navigation-site-website-navigation>

EL4DEV program news:  
<http://www.el4dev.com/feed>

LE PAPILLON SOURCE EL4DEV Non-profit:  
<https://www.net1901.org/association/LE-PAPILLON-SOURCE-EL4DEV.1874386.html>

*rebalancing of electromagnetic energy or vital energy)*



A visually appealing cuisine rich in taste

It is 100% vegetable and 100% raw using only biodynamic products grown on site

Acid-base balance in the body (pH regulation): a 100% vegetable diet effectively combats acidosis (pH decrease) caused by the considerable and continuous increase in acid absorbed via industrial food, air or water consumed.

#### In short

*A 100% self-sufficient city :*

*There is no connection to the local electricity grid.  
 There is no connection to the sewer system or septic tanks.  
 The city produces its own water and its own energy.  
 The city produces its own food crops thanks in particular to self-produced water.*

#### Links to the EL4DEV program

EL4DEV Web portal:  
<http://www.el4dev.net/>

EL4DEV program  
<https://www.paul-elvere-delsart.net/programme-el4dev-el4dev-program-paul-elvere-valerien-delsart>

<http://www.el4dev.com/>

The Papillon Source sub-program  
<https://www.paul-elvere-delsart.net/sous-programme-le-papillon-source-le-papillon-source-sub-program-paul-elvere-valerien-delsart>

<http://www.el4dev.com/papillon/>

We need sponsors:

Support-us on PayPal:  
<https://www.paypal.me/LePapillonSource>

[https://www.paypal.com/donate/?hosted\\_button\\_id=S5C6HJF9UEEMA](https://www.paypal.com/donate/?hosted_button_id=S5C6HJF9UEEMA)

Support-us on Tipeee:  
<https://fr.tipeee.com/le-papillon-source>

[https://www.gralon.net/mairies-france/gironde/association-le-papillon-source-el4dev-leognan\\_W332021967.htm](https://www.gralon.net/mairies-france/gironde/association-le-papillon-source-el4dev-leognan_W332021967.htm)

Support-us on Patreon:

[https://www.patreon.com/LE\\_PAPILLON\\_SOURCE\\_EL4DEV](https://www.patreon.com/LE_PAPILLON_SOURCE_EL4DEV)



*Document dated Tuesday, January 19, 2021*

*Written by Paul Elvere Valérien DELSART*

*Think tank LE PAPILLON SOURCE EL4DEV*